

data and specifications

APPLICATION

Today's ever-changing water quality issues demand that point-of-use water treatment systems become an essential component of equipment applications. Because municipal water treatment facilities are designed to reduce mainly biological contaminants, they do not decrease contaminants that affect the performance of water dependent equipment. The Watts HS-Series water treatment systems are designed specifically for use on applications found throughout the healthcare industry, such as point-of-use steam generators. When used as suggested by the manufacturer, the Watts HS-Series water treatment systems significantly reduce or eliminate boiler scaling. This unit is intended for use with a single sterilizer/ electric boiler combination – with boilers in the range of 12 to 20 KW.

BENEFITS

- Extends equipment life
- No electrical service needed
- Reduces or eliminates boiler scale
- Increases boiler heating element life and efficiency
- Universal mounting system for quick, easy installation
- Small size (24" x 16" x 20") permits installation virtually anywhere
- Attractive stainless steel cabinet

EQUIPMENT FEATURES

- Complete pre-treatment
- Sediment filtration removes dirt, sand, and rust
- KDF media filter reduces iron
- Carbon filtration removes chlorine and other VOCs
- TFC reverse osmosis membrane reduces up to 99% of TDS
- Complete post-treatment
- PH adjusted
- TDS balanced to ensure proper conductivity of water
- 1-year warranty
- Factory performance tested and sanitized



HS-200
Water Treatment System
#61301605522

SYSTEM PERFORMANCE

When used as suggested by the manufacturer, the Watts HS-Series water treatment systems eliminate up to 99% of the following contaminants:

- Total Dissolved Solids (TDS)
- Volatile Organic Chemicals
- Hardness (CaCO₃)
- Chlorine additives

NOTE LIMITATION:

Not intended for drinking water.

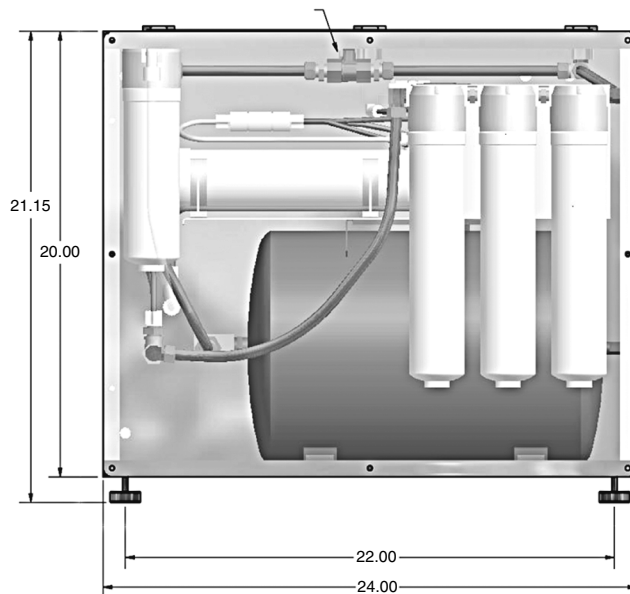
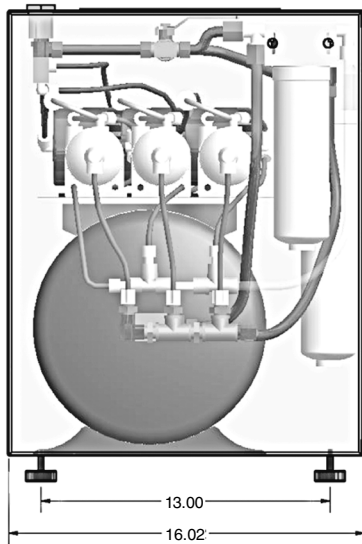
WARRANTY

Watts HS-Series water treatment systems are warranted for one year. Labor for repairs is provided for the first 90 days following equipment installation and start-up. Warranty repairs are performed Monday – Friday from 8:00 a.m. – 5:00 p.m., excluding national holidays.

Left Side B

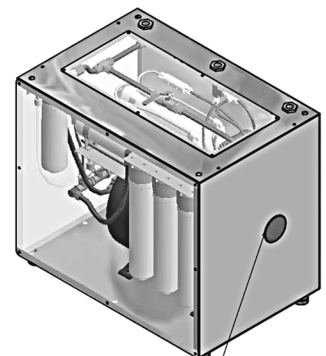
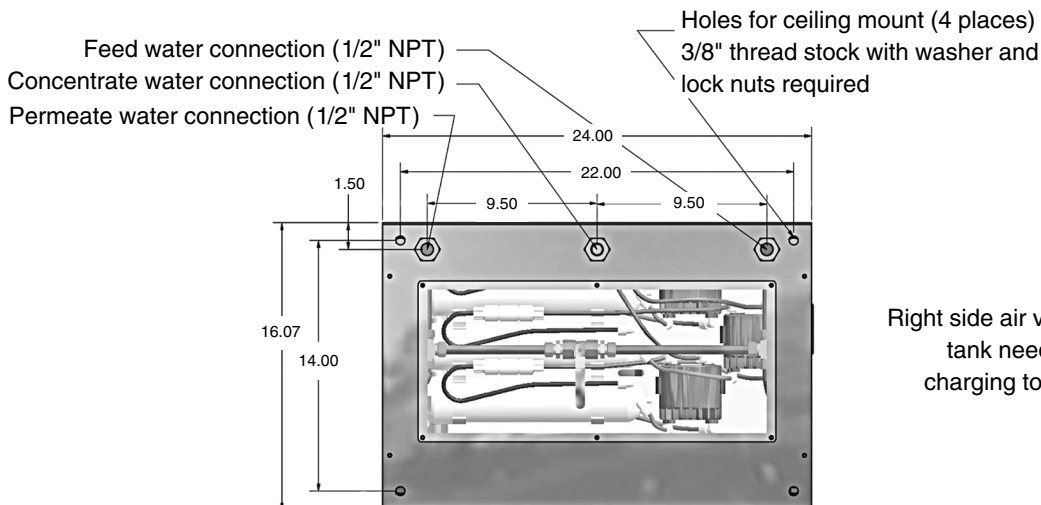
Front (Access Panel Side) A

Manual bypass valve for rapid start/boiler fill



NOTES:

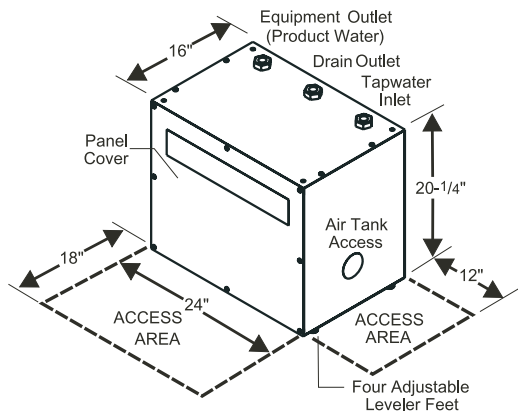
1. **INLET WATER:** Must be potable
2. **CONNECTIONS:** In view "D" #1, #2 & #3 are 1/2" NPT; "L" grade copper with flared fittings required.
3. **PRESSURE:** Min. 40 psig, max 85 psig. A pressure regulator P/N 134030 will be required if over 85 psig.
4. **PH RANGE:** 4-7
5. **HARDNESS:** Maximum 10 grains
6. **TEMPERATURE:** Min 40°F; max 100°F
7. **TDS:** Maximum 1200 ppm
8. **PREVENTATIVE MAINTENANCE:** First year preventative maintenance kit included. (P/N 501020)
9. **CLEARANCE:** Minimum 18" service clearance on sides C & D, Minimum 35" on side A.
10. **FLOOR DRAIN REQUIREMENTS:** Min. 1/2" dia. within 10' of processing unit.
11. **Pretreatment:** Q/C series sediment 5 micron (P/N 107021, Qty 1), Q/C series carbon block 10 micron (P/N 101011, Qty 1), Q/C series GAC/KDF 1/2 lb. (P/N 107024, Qty 1).
12. **Post Treatment:** Q/C series calcite 1202 (P/N 307020, Qty 1)



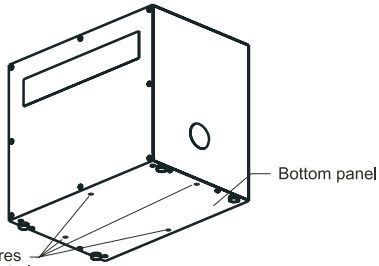
Right side air valve access panel C tank needs to be empty when charging to the required 15 psig

Top View (Access Panel) D

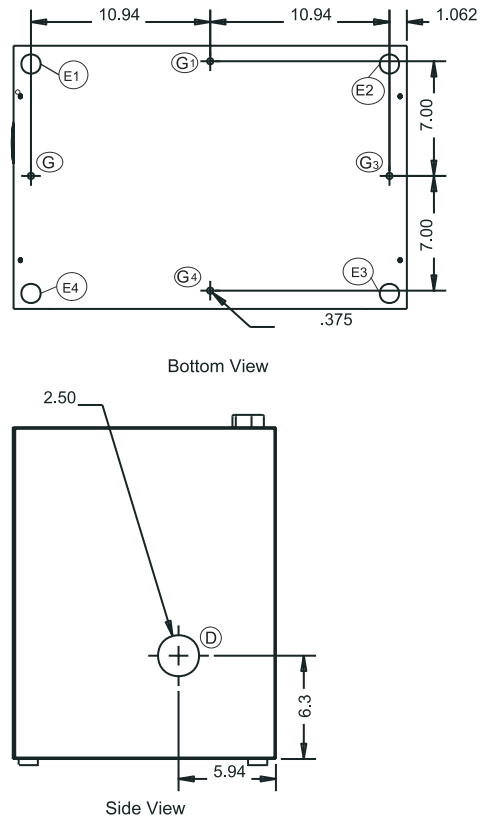
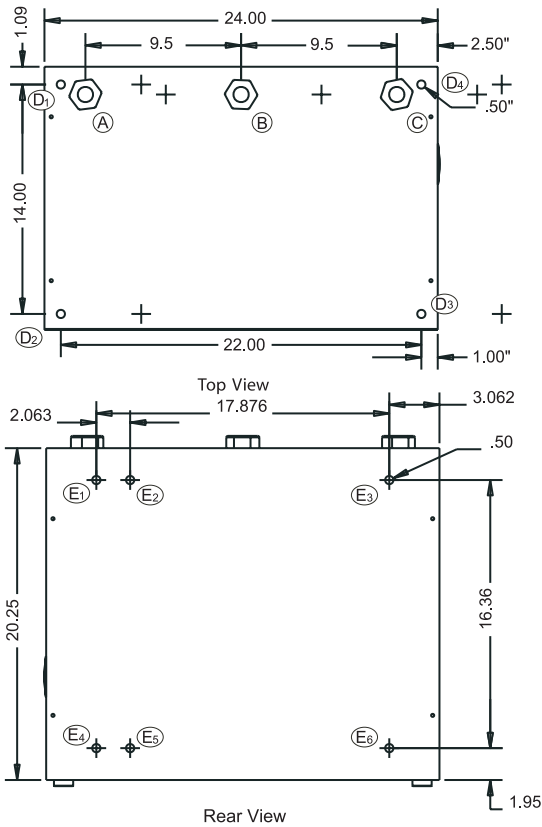
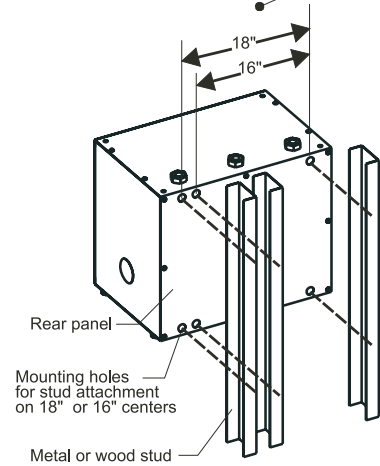
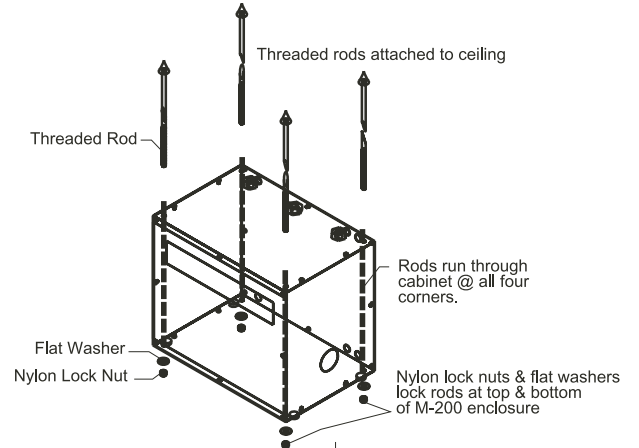
Installation Instructions



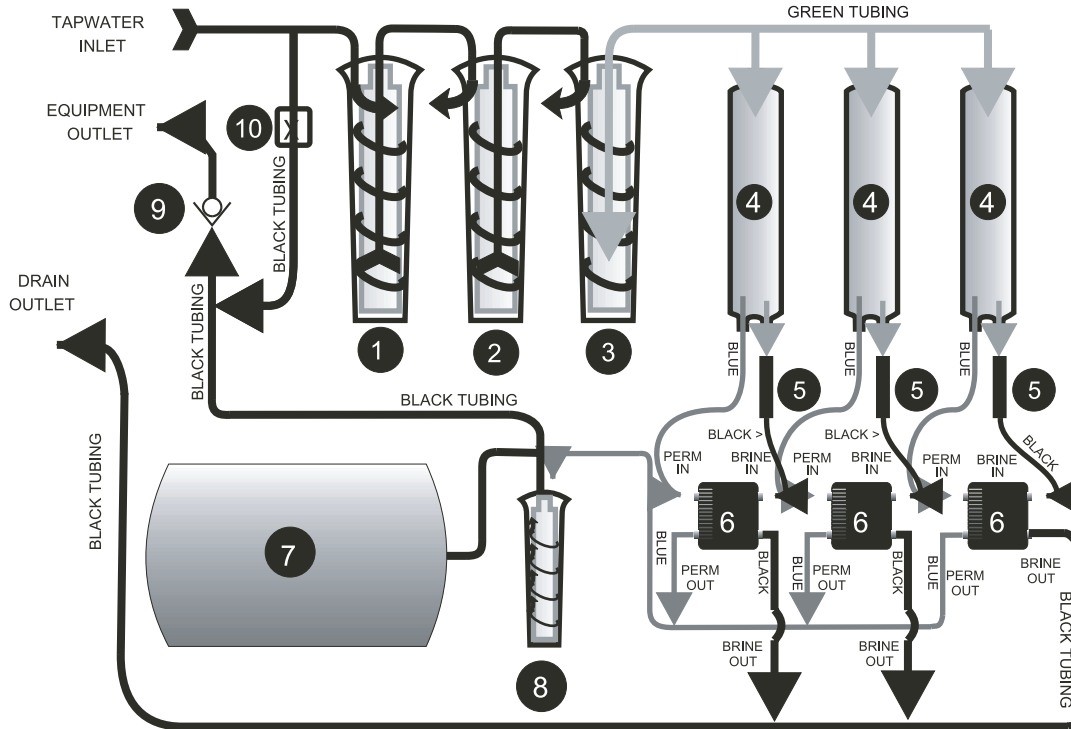
NOTE:
 Need access to front panel and right side "Air Tank Access Cap".
 Recommended:
 Front Panel Access - 18" clearance
 Side Panel Access - 12" clearance



California Code requires four seismic mounting holes for floor attachment



Theory of Operation



Model HS-200 Boiler Mate # 570200 Replacement Parts

Theory Part #	Getinge Part #	Watts Item #	Item Description	Qty per unit
1	61301605447	101011	Filter Carbon Block 5 micron	1
3	61301605449	107021	Filter Sediment 5 micron	1
2	61301605450	107024	Filter GAC/KDF	1
6	61301605453	152002	Permeate Pump	3
4	61301605455	67000	Membrane Filter	3
7	61301605471	219002	5 Gal Storage tank	1
5	61301605473	222019	Flow Restrictor 750 ml	3
0	61301605474	224001	Valve Ball 1/2" Brass	1
9	61301605476	234010	Valve Check 1/2" Brass	2
8	61301605516	307020	Filter Calcite	1
0	61301605518	501020	HS-200 Unit PM Kit, Year Supply	1

GETINGE

Getinge USA, Inc.
 1777 East Henrietta Road
 Rochester, New York 14623-3133
 U.S.A.
 Phone: (800) 475-9040
 Fax: (585) 272-5033
 Email: info@getingeusa.com
 www.getingeusa.com

GETINGE

THE GETINGE GROUP is a leading global provider of equipment and systems that contribute to quality enhancement and cost efficiency within healthcare and life sciences. Equipment, services and technologies are supplied under the brands **ARJO** for patient hygiene, patient handling and wound care, **GETINGE** for infection control and prevention within healthcare and life science and **MAQUET** for surgical workplaces, cardiopulmonary and critical care.